

SDS125M SERIES ~ Shielded SMD Power Inductors

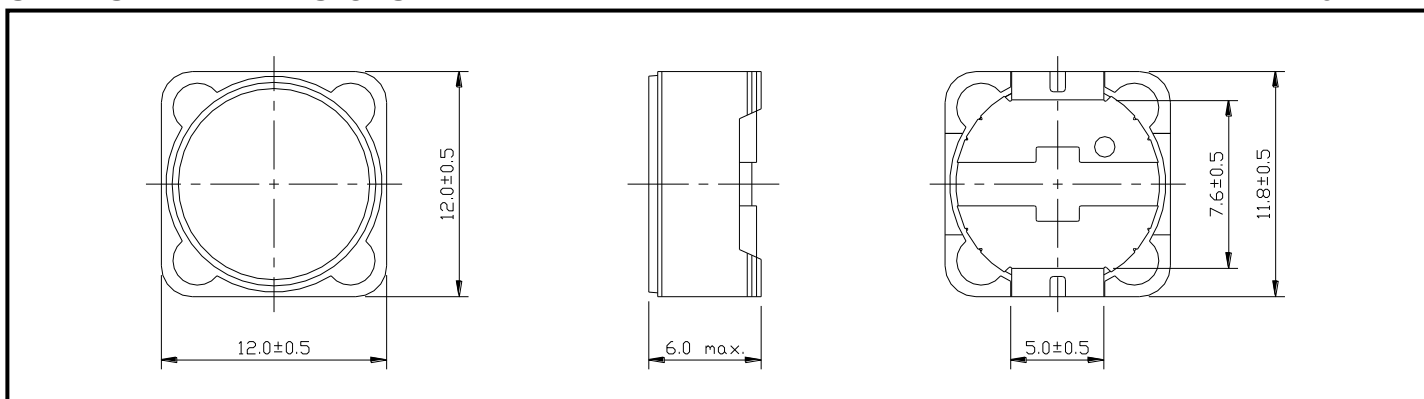


PART NUMBERING SYSTEM

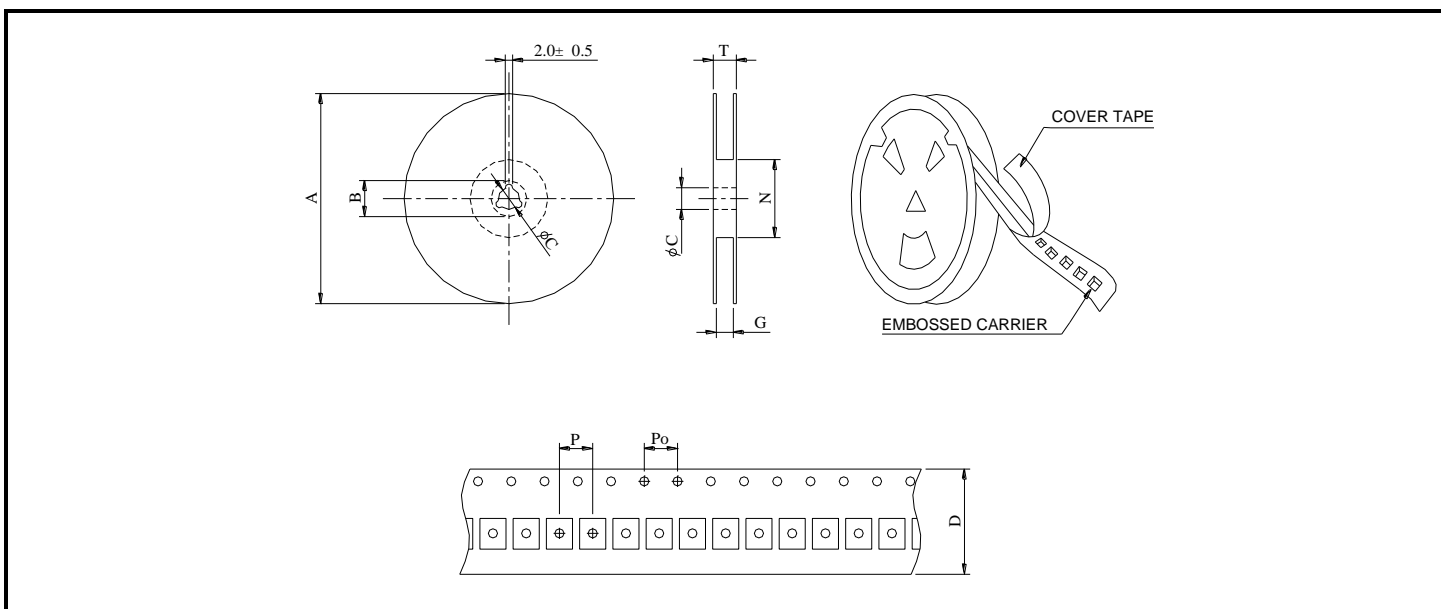
SDS	125M	—	100M	—	LF
TYPE	DIMENSIONS		INDUCTANCE		LEAD FREE

SHAPES AND DIMENSIONS

UNIT : mm



PACKAGING SPECIFICATION



SERIES	STAYLE	Q'TY (PCS)	DIMENSIONS (m/m)								
			A	B±0.8	C±0.5	D	G ⁺⁰	N ⁰	P	Po	T
SDS125M	13-24	400	330	21	13	24	26	50	20	4	30.4



SDS125M SERIES ~ Shielded SMD Power Inductors



FEATURES

- Magnetically shielded
- Saturation current rating **over 33 Amps** and **very low DCR**
- Inductance ratings from **0.47 to 47 μ H**
- **RoHS-compliant**. 260°C compatible. Matte tin over nickel over phos bronze terminations

SPECIFICATION TABLE

PART NUMBER	INDUCTANCE (μ H)	DCR (m Ω) (Max.)	Isat (A) (Max.)	Irms (A) (Max.)	TEST FREQ. (f)
SDS125M-R47N-LF	0.47 \pm 30%	2.30	33.0	17.6	100KHz
SDS125M-1R2N-LF	1.2 \pm 30%	3.80	15.0	13.0	100KHz
SDS125M-2R2N-LF	2.2 \pm 30%	4.60	11.0	12.0	100KHz
SDS125M-3R3M-LF	3.2 \pm 20%	5.60	9.1	10.0	100KHz
SDS125M-4R7M-LF	4.7 \pm 20%	5.90	7.8	9.6	100KHz
SDS125M-5R6M-LF	5.6 \pm 20%	8.10	6.8	8.9	100KHz
SDS125M-7R5M-LF	7.5 \pm 20%	14.0	6.2	6.4	100KHz
SDS125M-100M-LF	10 \pm 20%	16.0	5.2	6.0	1KHz
SDS125M-120M-LF	12 \pm 20%	18.5	4.8	5.7	1KHz
SDS125M-220M-LF	22 \pm 20%	28.0	3.6	4.7	1KHz
SDS125M-270M-LF	27 \pm 20%	33.0	3.1	4.2	1KHz
SDS125M-330M-LF	33 \pm 20%	35.4	2.7	4.0	1KHz
SDS125M-470M-LF	47 \pm 20%	41.0	2.0	3.7	1KHz

- Isat: DC current at which the inductance drops 10% (typ) from its value without current.
- Irms: Current that causes a 40°C rise from 20°C ambient.
- Operating temperature range -40°C to +125°C.
- Electrical specifications at 20°C .
- **PLATING / SOLDER : TIN-SILVER-COPPER (95.5%/4.0%/0.5%)**